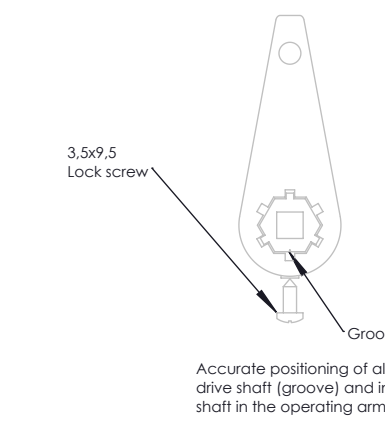


Right = Mirror Left

ATTENTION



FASTENERS FOR INSTALLATION EXCLUDED (third party)				FASTENERS FOR SYSTEM ASSEMBLY INCLUDED			
MATERIAL							
CUSTOMER	DATE	22-9-2021	RACK ARMS & PARTS	Not. ano			
DESCRIPTION	SCALE	1:10	LOUVERS	RAL 9006			
PROJECT NR	ENGINEER	SD	PLASTIC PARTS	Light Gray			
2105060							
Quantity of	QTY	STATE	Approved	107E	Int	2105060-01-000	4.4 A0
NI 4941 V1							
Revised/Order/Rev	REV	02					

