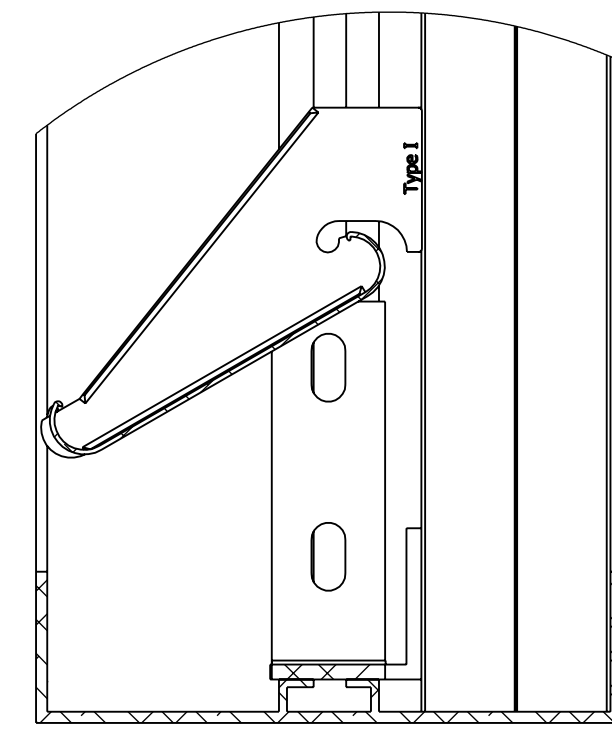
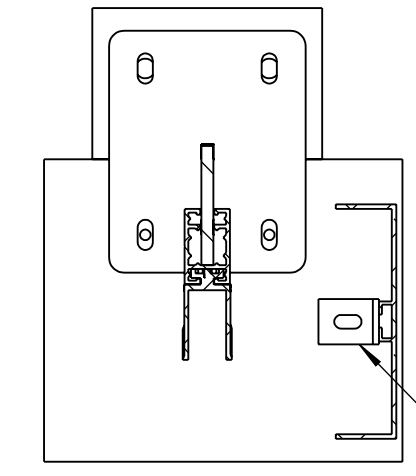


SECTION A-A

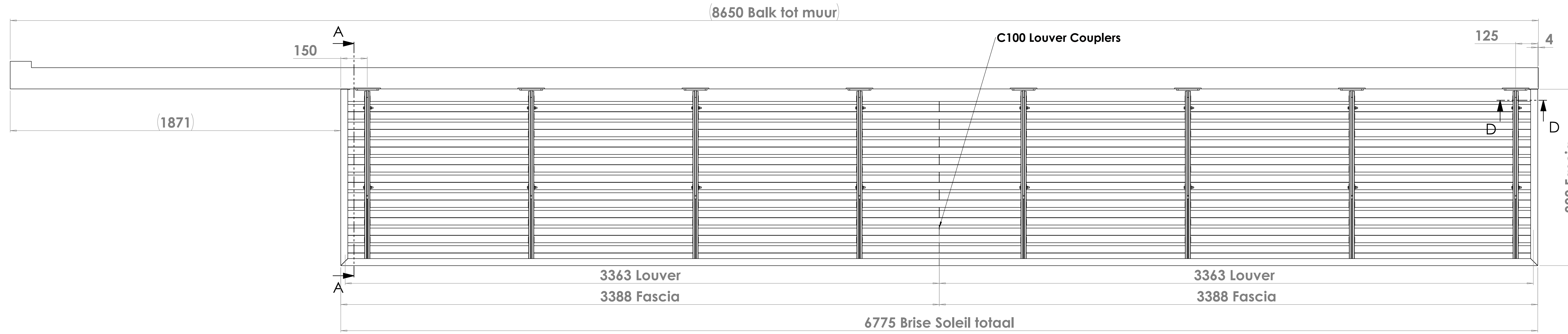
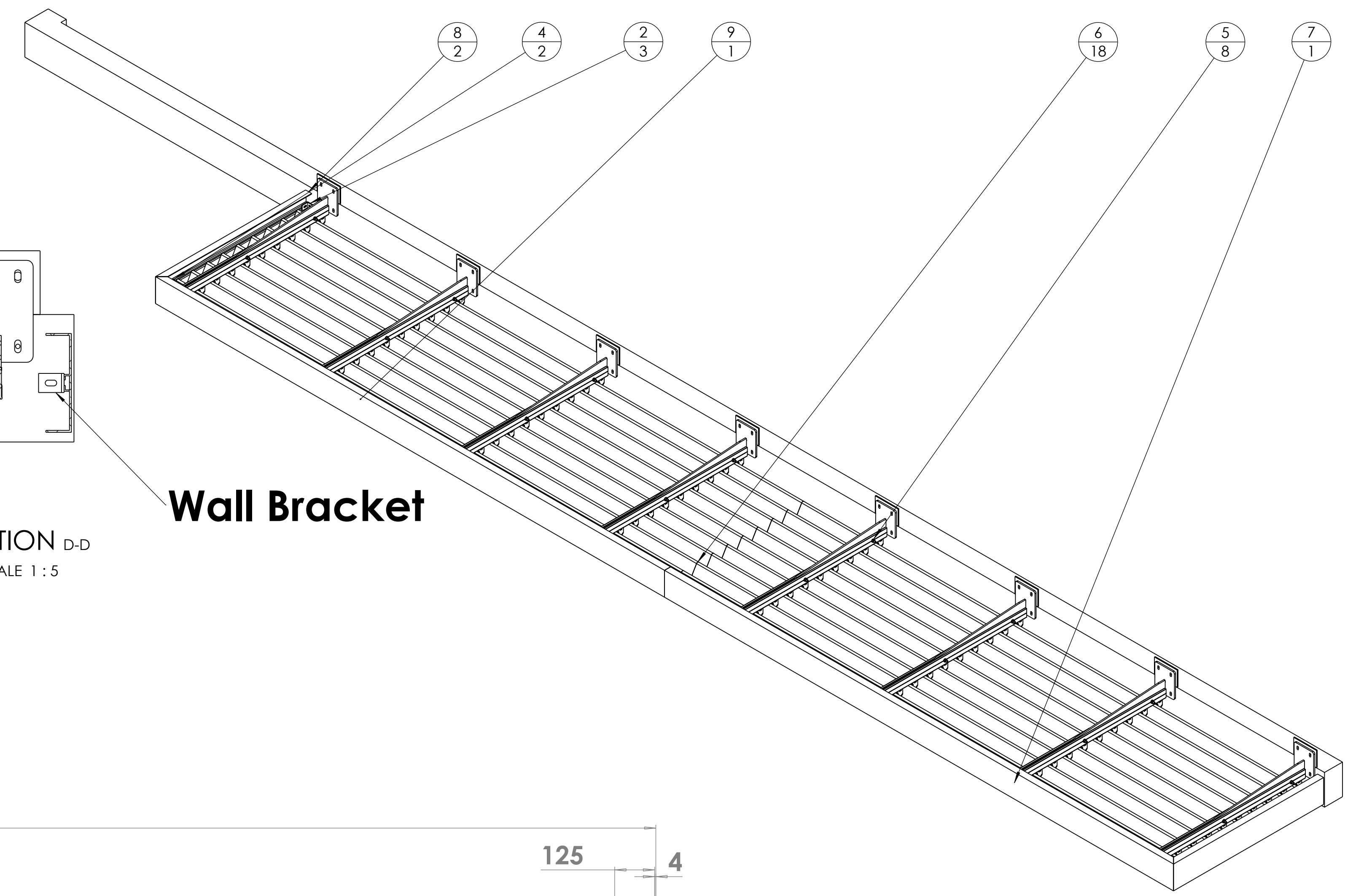


DETAIL B
SCALE 1:2

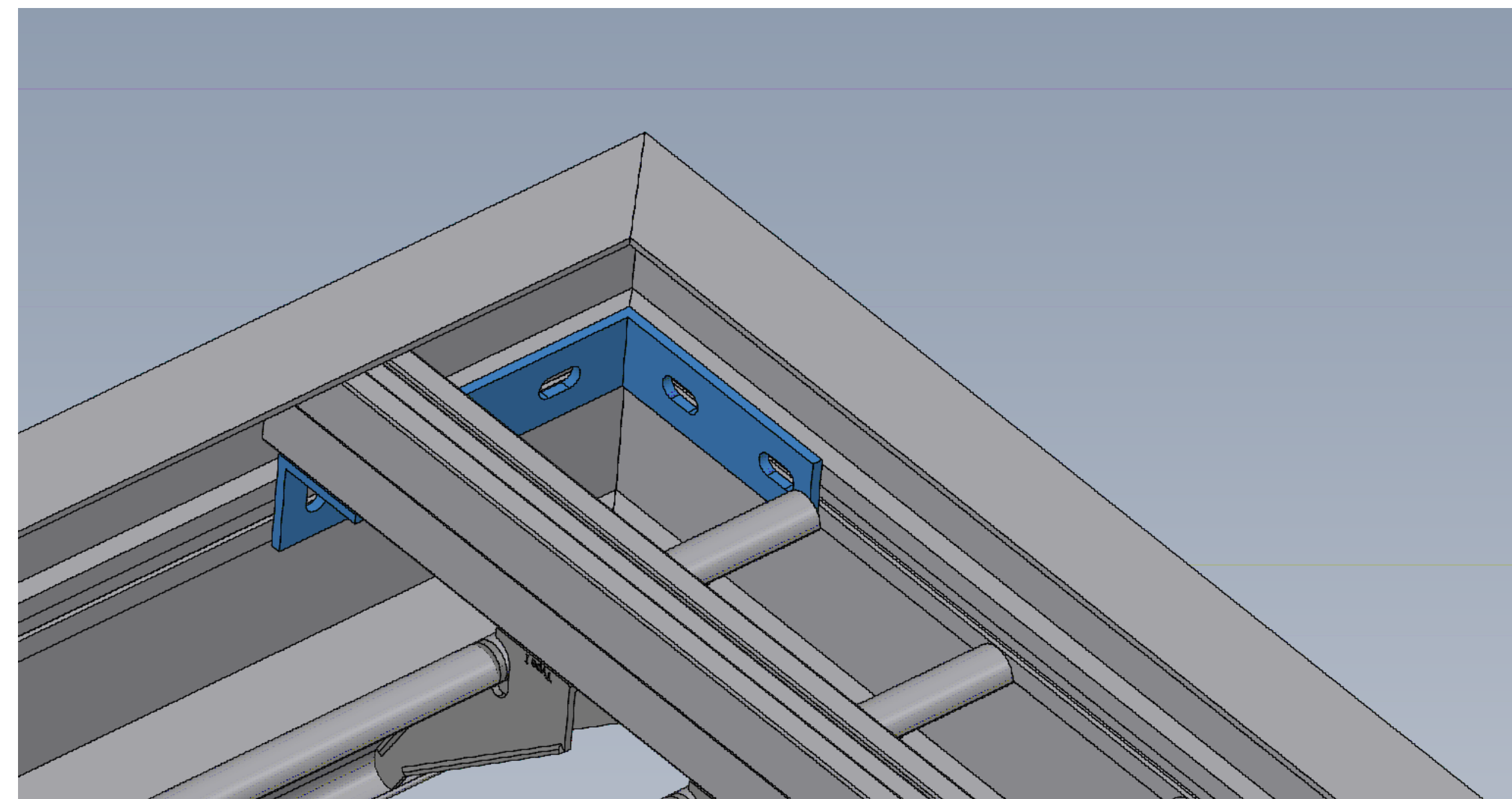
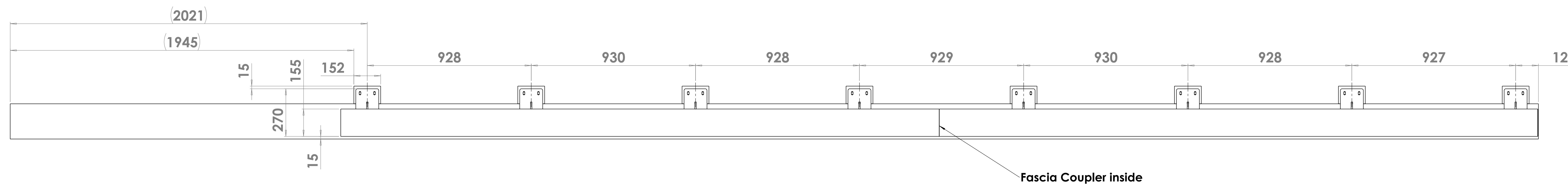


SECTION D-D
SCALE 1:5

Wall Bracket



MUURZIJDE



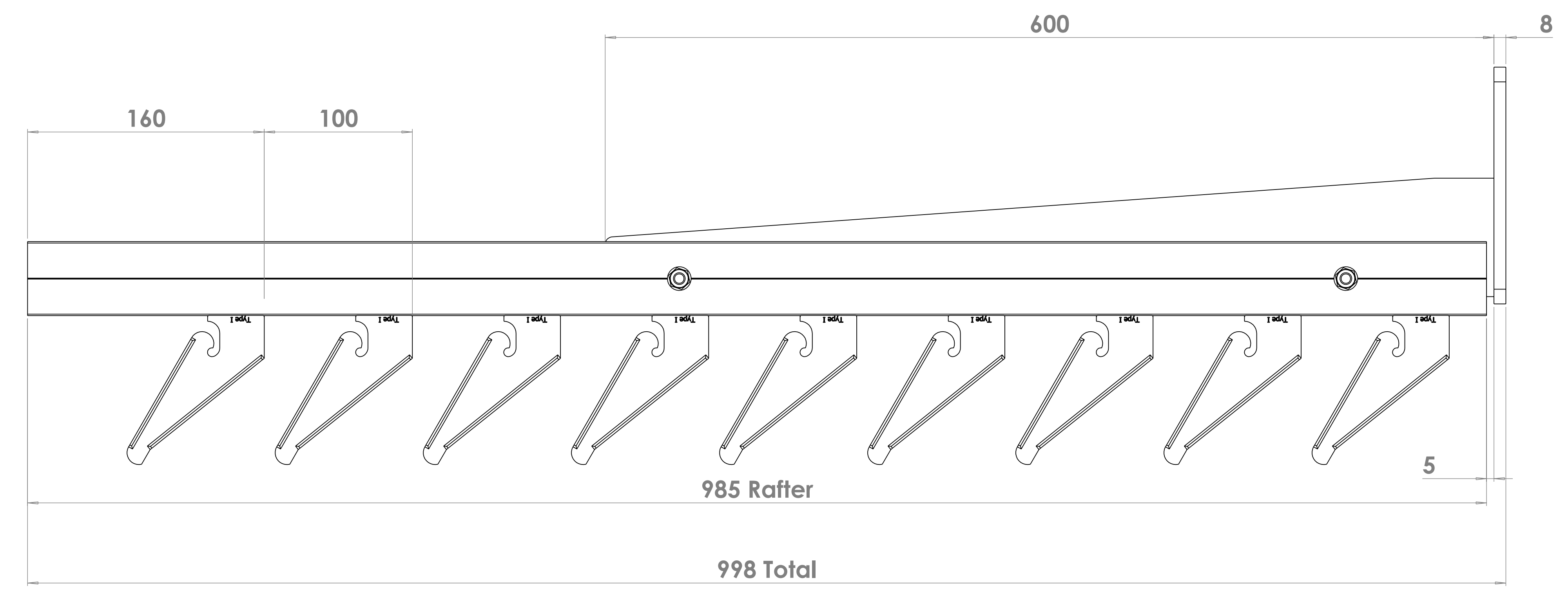
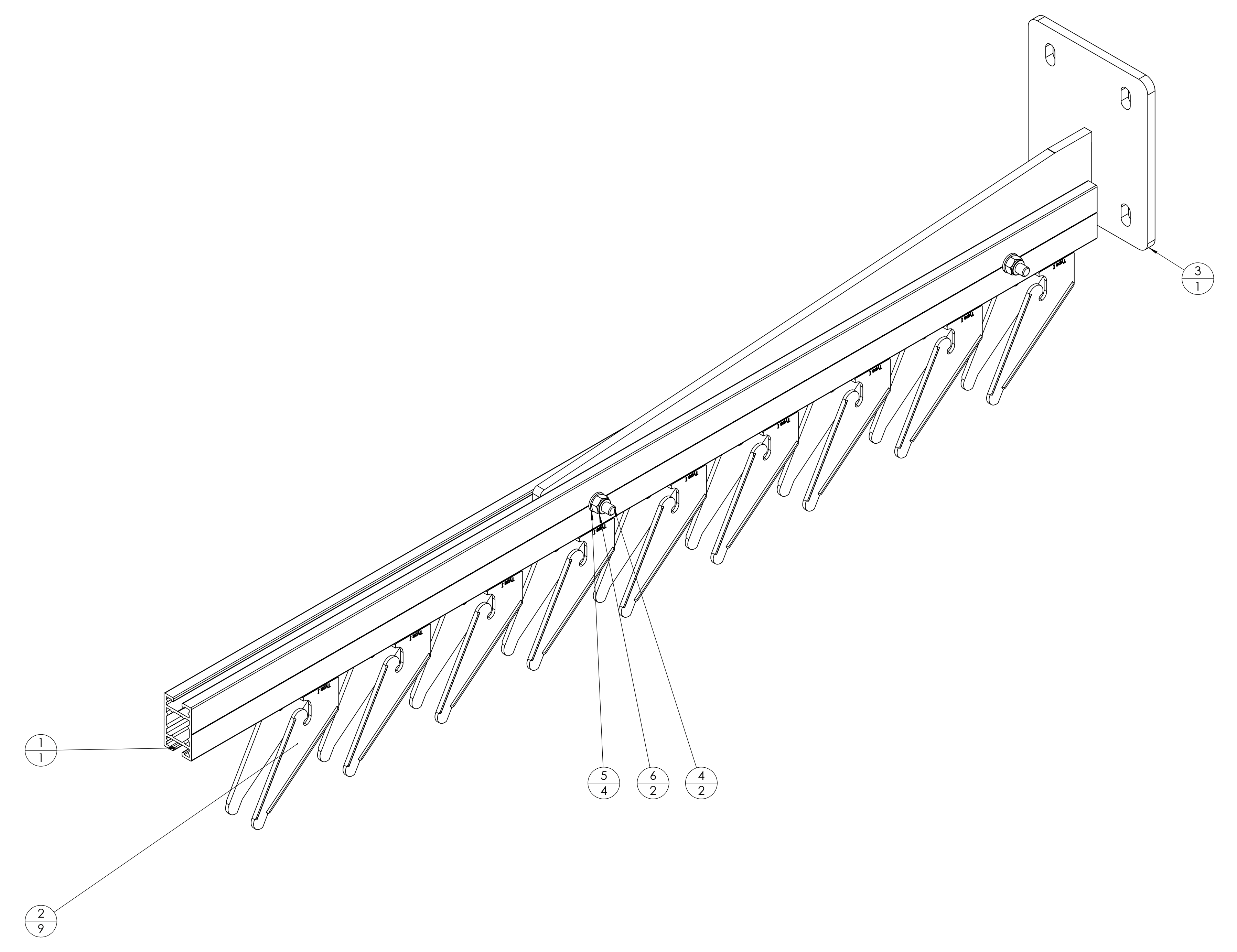
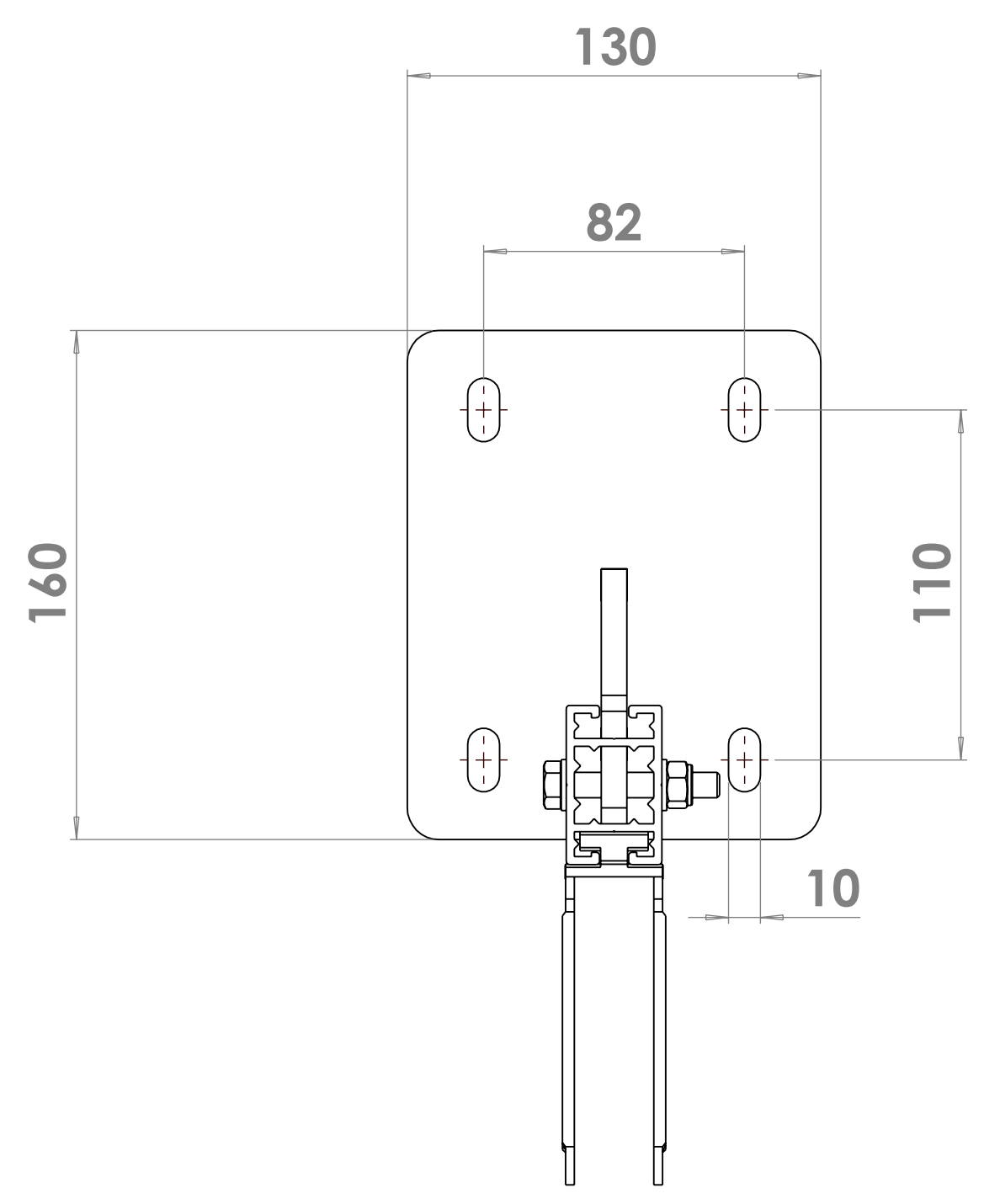
Brackets Fascia

GEBOUW 1 (Links)

ITEM NO.	QTY.	SW-File Name (File Name)	DESCRIPTION	Comment 2
1	9	10 097	C100 Louver Coupler, 97 mm (lg=200 mm)	L=200
2	3	10 172	Angle Bracket 40x40x4mm, lg=30mm	L=30
3	1	10 174	Fascia Couple strip 200x30x5mm	L=200
4	2	10 175	Fascia 155 Corner Coupler, 100x100x4mm (lg=30 mm)	L=30
5	8	2206009-01-100	Rafter Asm	
6	18	2206009-01-401	C100 Louver	L=3362,5
7	1	2206009-01-601	Fascia 155, 40x155x40 mm	L=3387,5
8	2	2206009-01-602	Fascia 155, 40x155x40 mm	L=999
9	1	2206009-01-603	Fascia 155, 40x155x40 mm	L=3387,5

FASTENERS FOR INSTALLATION EXCLUDED (third party)				FASTENERS FOR SYSTEM ASSEMBLY INCLUDED			
CUSTOMER	DATE	26-6-2023	RACK ARMS & PARTS	RAL 9006 70% SD			
DESCRIPTION	SCALE	1:10	LOUVERS	RAL 9006 70% SD			
PROJECT NR	ENGINEER	SD	PLASTIC PARTS	Grey			
2206009	QTY	Approved	C100	Ext.	2206009-01-000	1:3	A0
4x41 V2	STATE	REV	02				

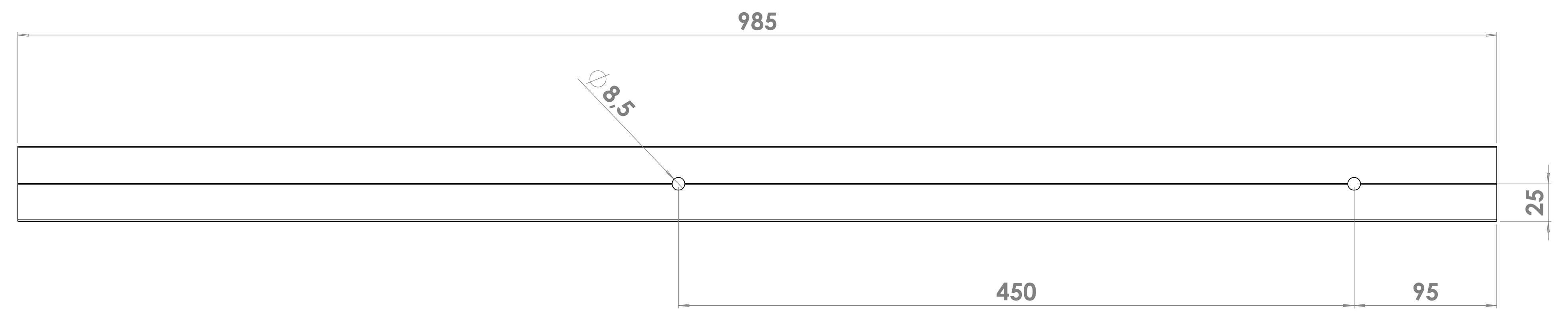
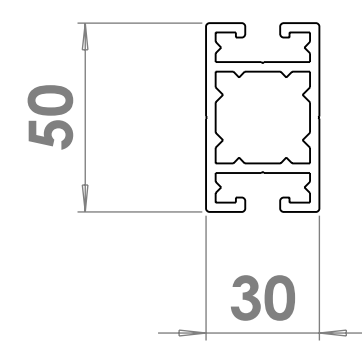
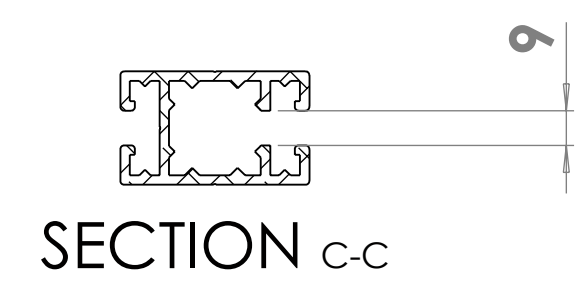
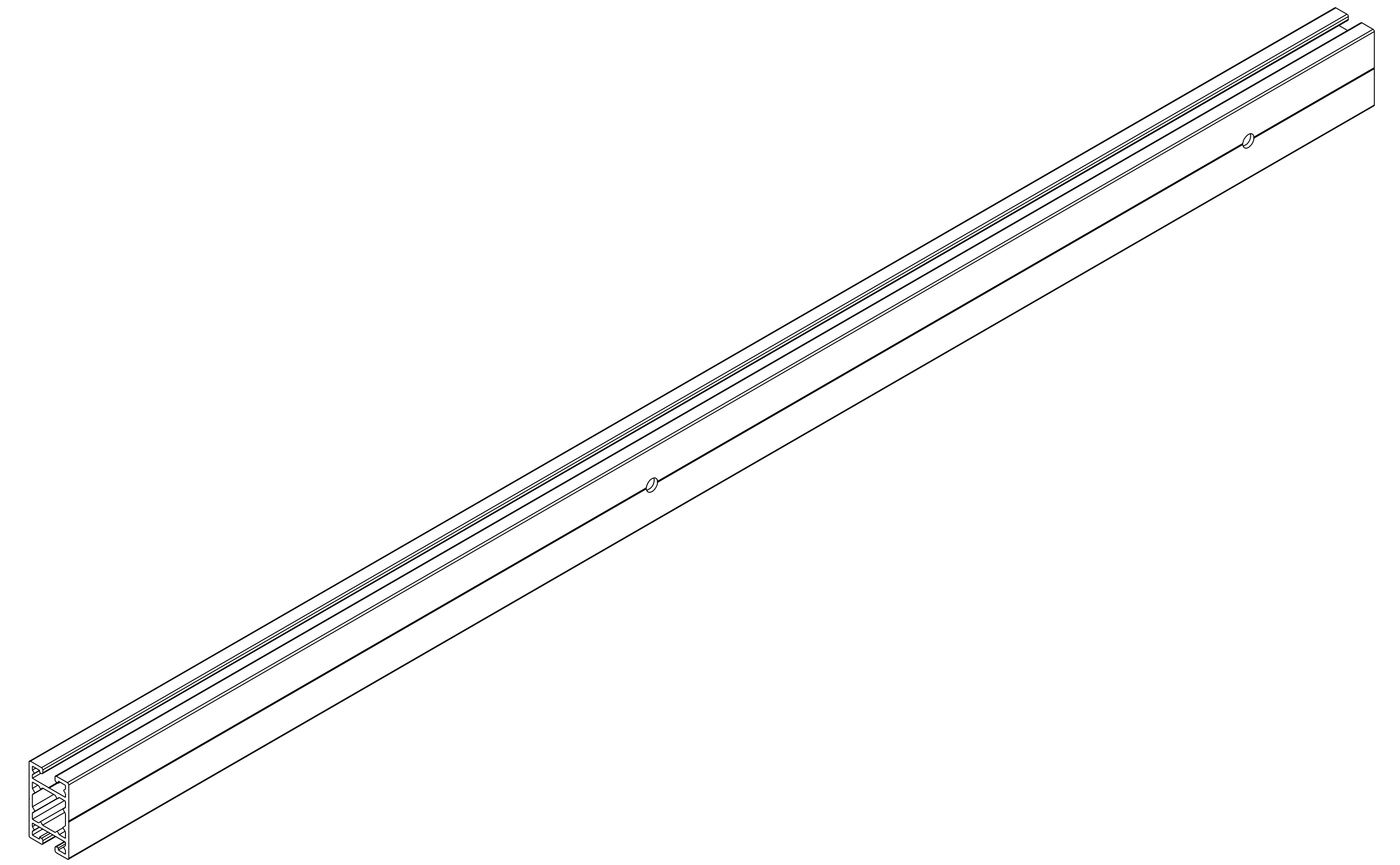




ITEM NO.	QTY.	SW-File Name (File Name)	DESCRIPTION	Comment 2
1	1	2206009-01-101	Rafter 50x30 (C-System)	L=985
2	9	10 601	C100 Clip Typ. I, (60°), incl. screw 3,9x12	
3	1	2206009-01-110	T-Bracket 600 mm	
4	2	901	DIN 933 Hexagon Head Bolt M8x50	
5	4	908	DIN 125-1A Plain Washer M8	
6	2	931	DIN 985 Hexagon Lock Nut M8	02

FASTENERS FOR INSTALLATION EXCLUDED (third party)				FASTENERS FOR SYSTEM ASSEMBLY INCLUDED			
CUSTOMER	DATE	26-6-2023	RACK ARMS & PARTS	RAL 9006 70% SD			
DESCRIPTION	SCALE	1:2	LOUVERS	RAL 9006 70% SD			
PROJECT NR	ENGINEER	SD	PLASTIC PARTS	Grey			
2206009							
4941 V2	QTY	Approved	C100	Ext.	2206009-01-000	23	A0
	STATE	REV	02				





FASTENERS FOR INSTALLATION EXCLUDED (third party)				FASTENERS FOR SYSTEM ASSEMBLY INCLUDED			
MATERIAL							
CUSTOMER	DATE	26-6-2023	RACK ARMS & PARTS	RAL 9006 70% SD			
DESCRIPTION	SCALE	1:2	LOUVERS	RAL 9006 70% SD			
PROJECT NR	ENGINEER	SD	PLASTIC PARTS	Grey			
2206009							
QTY	STATE	Approved	C100	Ext.	2206009-01-000	3:3	A0
REV	02						

